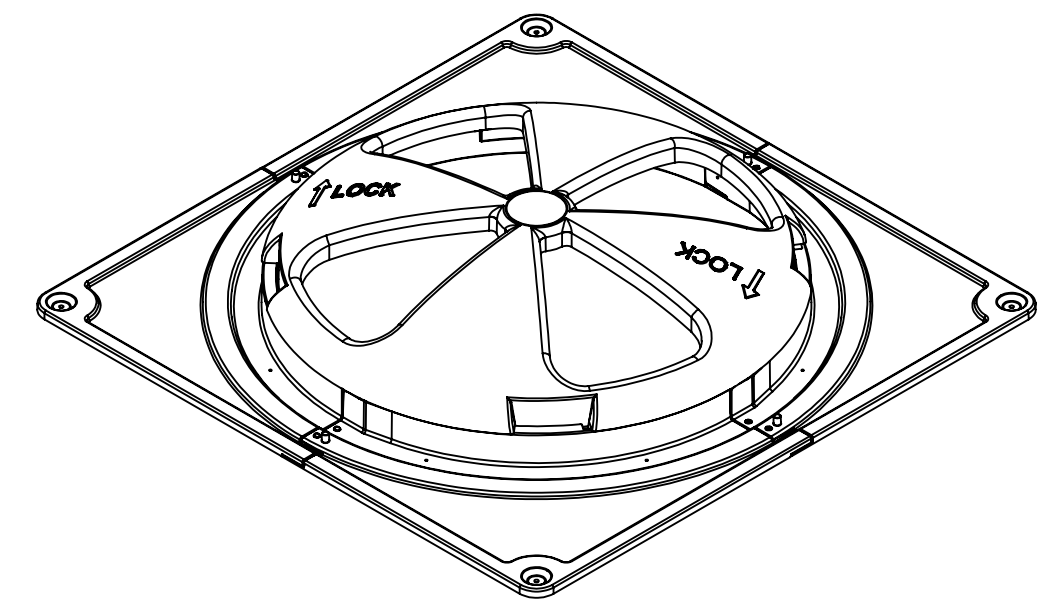


SECTION A-A  
SCALE 1 : 4

- UNLESS OTHERWISE SPECIFIED:
1. REFER TO CAD MODEL FOR UNSPECIFIED FEATURES AND DIMENSION
  2. TOLERANCE ON UNSPECIFIED FEATURES AND DIMENSIONS +/- 0.060"
  3. ALL SPECIFIED DIMENSIONS +/- .375"



UNLESS OTHERWISE SPECIFIED DIMENSIONS ARE IN INCHES		CAD GENERATED DRAWING, DO NOT MANUALLY UPDATE		AERO-STREAM, LLC W300 N7706 CHRISTINE LANE HARTLAND, WI 53029 (262) 538-4000	
TOLERANCES ARE:		APPROVALS	DATE		
DECIMALS	ANGLES				
.XXX ±0.15	± 2°	DRAWN	NCW 10/13/21		
.XX ±0.06		CHECKED			
MATERIAL	RECYCLED HDPE	RESP ENG			
FINISH		MFG ENG			
SEE NOTES		QUAL ENG			
DO NOT SCALE DRAWING				SIZE	DWG. NO. 102910
				SCALE	1:4
				CAD FILE:	
					REV. A
					SHEET 1 OF 1

Base Flange with  
Safety Barrier